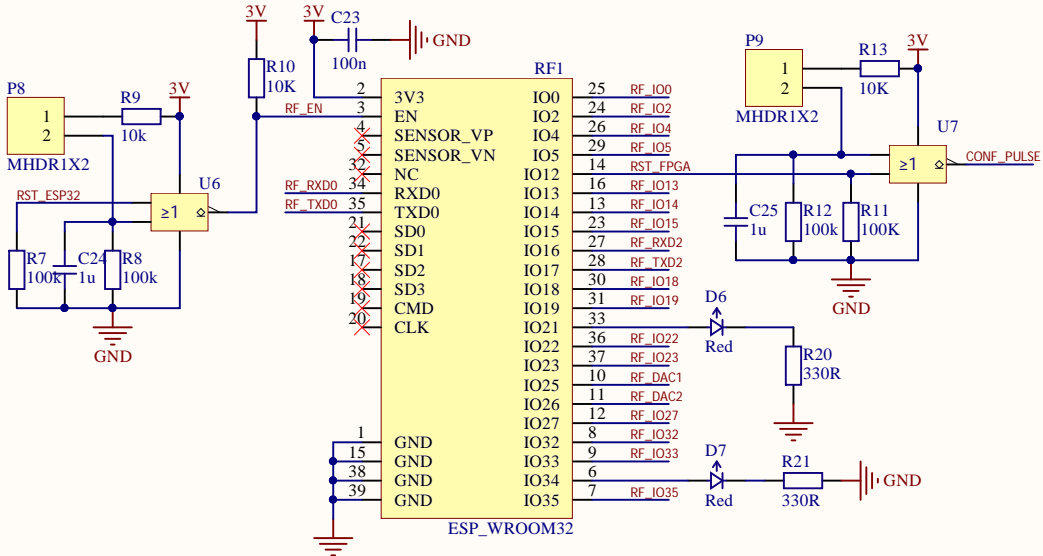
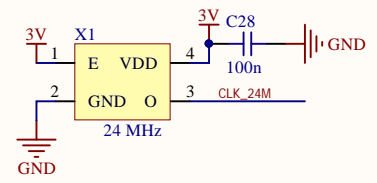


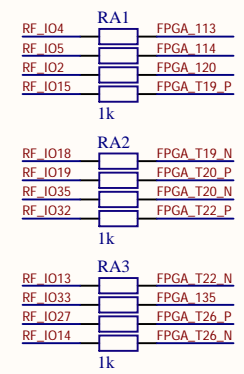
BLUETOOTH, WIFI



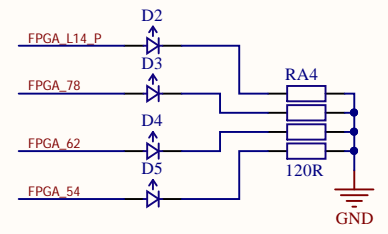
CLOCK



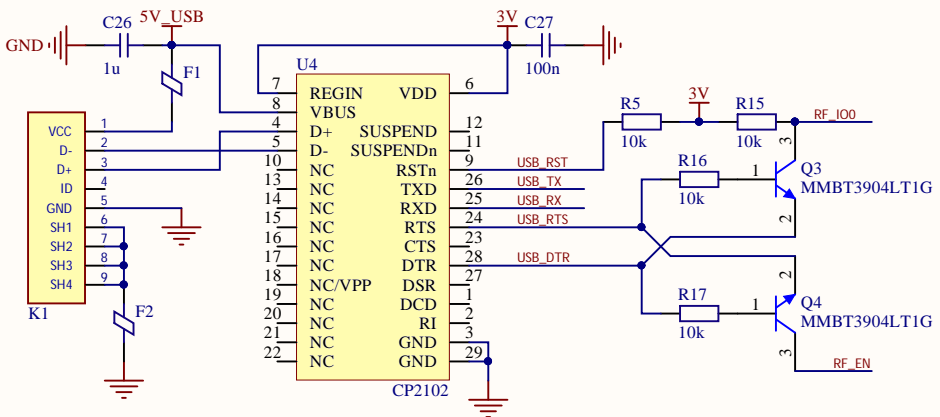
ESP - FPGA INTERFACE



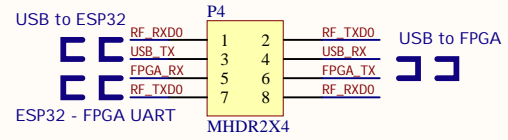
LEDs



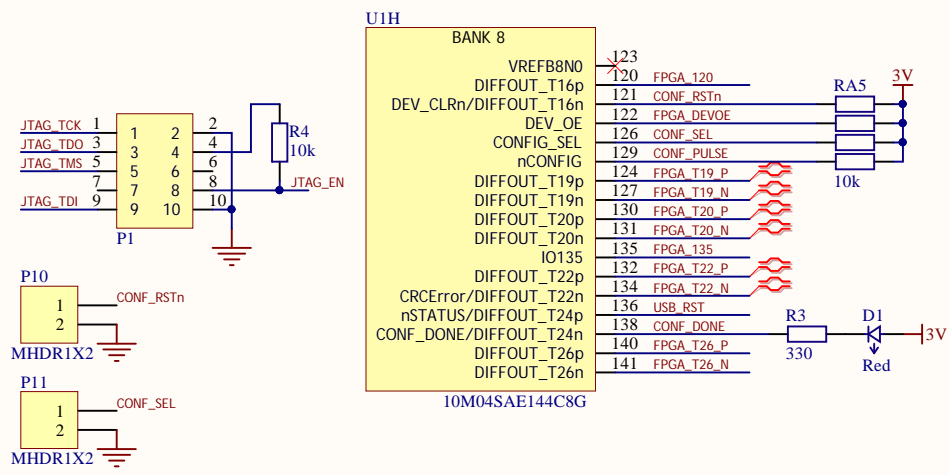
USB - UART AND ESP PROGRAMMING



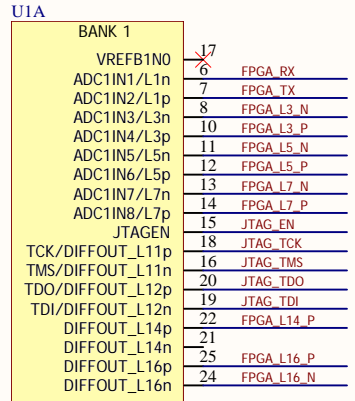
UART SWITCH



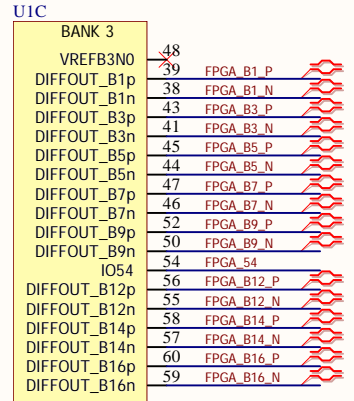
FPGA CONFIGURATION



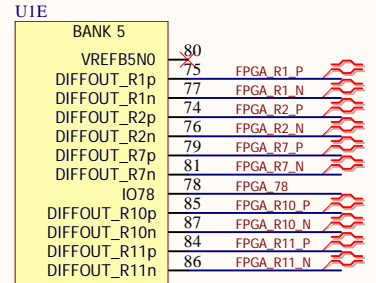
I/O PORTS



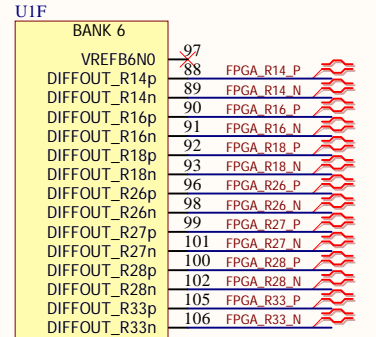
10M04SAE144C8G



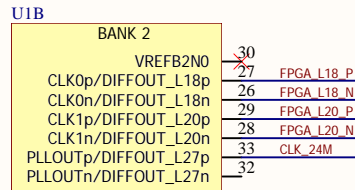
10M04SAE144C8G



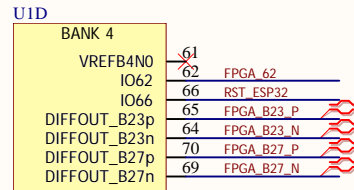
10M04SAE144C8G



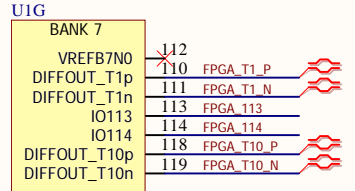
10M04SAE144C8G



10M04SAE144C8G

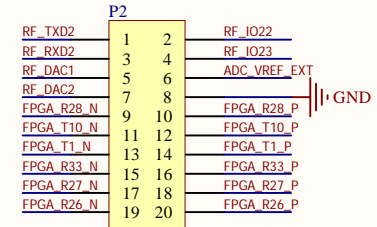


10M04SAE144C8G

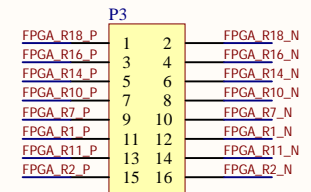


10M04SAE144C8G

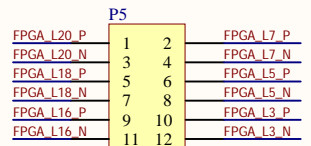
I/O PORTS



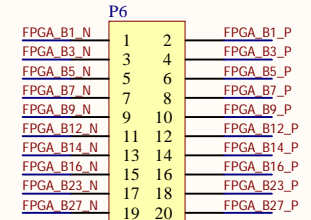
Header 10X2



Header 8X2

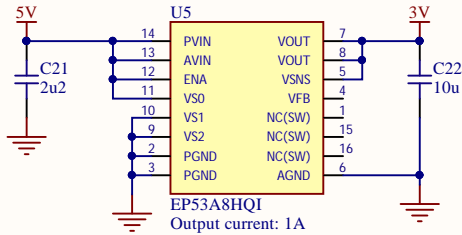


Header 6X2

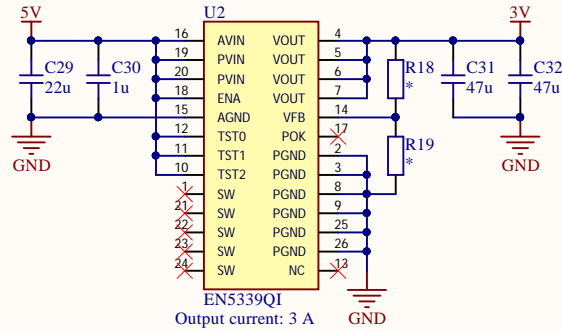


Header 10X2

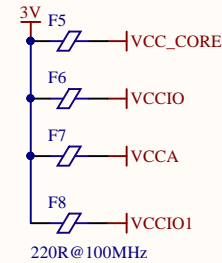
POWER CONVERSION (LOW P)



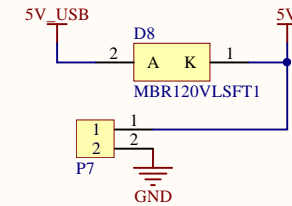
POWER CONVERSION HIGH P



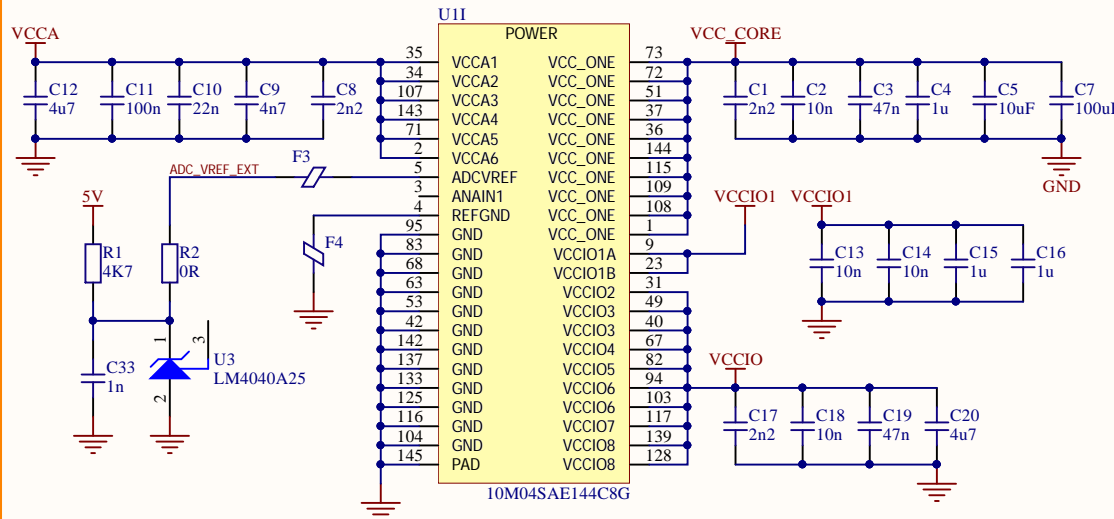
POWER FILTERS




EXTERNAL 5V



FPGA POWER AND DECOUPLING



Title Ninja Max 10			Akteevy Basingstoke Hampshire, UK www.akteevy.com	
Size: A4	Number: 102001	Revision: 0.5		
Date: 02/07/2017	Time: 20:26:03	Sheet 4 of 4		
File: [04]Power and decoupling_SchDoc				